

2.3 / 4.6Mbps SHDSL modem /router

LAN-to-LAN connection up to 4.6 Mbps using 2-/4-wire copper lines



The SPEED-Router DSL can excellently be used for intelligent IP connection of remote locations to the central office using 2-wire or 4-wire copper lines.

The router is able to flexibly adapt to existing number of wires and bandwidth. The maintenance of data traffic can even be realised in the event that two of four copper lines are disconnected. Bandwidth can be adjusted from 384kbps up to 4.6Mbps in 128kbps steps for each pair of wires.

The SPEED-ROUTER DSL provides four 10/100BaseTX Ethernet ports for direct connection of multiple LAN units in order to redundantly use of additional switch components.

This unit supports a multiplicity of QoS and VLAN features for varied applications. Remote inband configuration can be realised by using the router as an intelligent CPE for operation with the SPEED-DSLAM 24 in the central office. The last SPEED-ROUTER DSL configuration is saved at the DSLAM.

The SPEED-ROUTER DSL is available as a compact stand-alone unit in order to be managed via Web, Telnet or SNMP.

- Ethernet connection using 2-wire or 4-wire copper lines
- Integrated bridge / router functionality
- Data rate: 384kbps up to 4.6Mbps
- LAN interfaces: 4 x 10/100BaseTX
- Port & tag-based VLAN
- Daisy chain or star-networked connection
- QoS support
- SNMP & Web management

Technical information:

General

- LED indicators: Power, 4W (only 4-wire version), link (1-4), WAN synch1, synch2
- Operating temperature: 0°C - 50°C
- Storage temperature: -20°C - 70°C
- Humidity: 5% - 95% (non-condensing)
- Dimensions (H x B x T): 47 x 238 x 182 mm
- External power supply:
 - Input: 85 - 264 V AC, 45 - 65Hz
 - Output: +5 V DC, 2A

Line port

- Standard: G.991.2 (TC-PAM)
- Line: 2-wire and 4-wire copper lines (RJ11)
- Data rate: 384 kbps ~ 4.6 Mbps in 128 kbps steps
- 2-wire SHDSL line protection
- Distance: Up to 7 km

Client port

- Interfaces: 4 x 10/100BaseTX (MDI/MDI-X)
- Transparent bridging (RFC 1438)
- 1.000 MAC addresses
- MAC address filtering and MAC address limiting
- Flood control
- Spanning Tree protocol (802.1d)
- IP multicast (IGMP snooping)

Routing functionality

- Numbered/unnumbered WAN
- Dynamic & static IP, RIP, RIP2
- Proxy ARP, NET, DHCP server/relay
- PAP/CHAP
- DNS relay (Proxy)

QoS

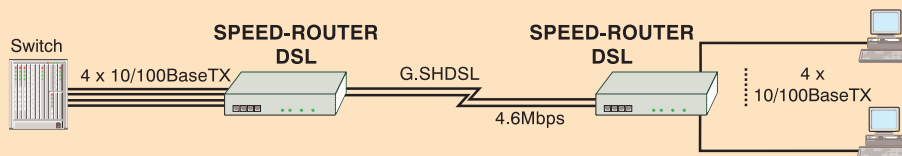
- Classification of traffic:
 - VLAN port-based
 - VLAN tag-based

Management

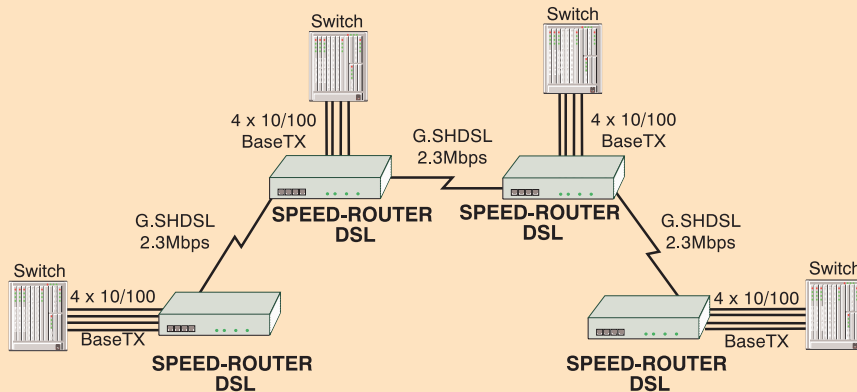
- Integrated console port RS232 (DB9)
- Integrated SNMP agent
- Telnet and Web management

Example of use:

IP point-to-point connection using 4-wire copper lines



Daisy-chain of multiple SPEED-ROUTER-DSL



Star-networked connection using 2-/4-wire copper

